

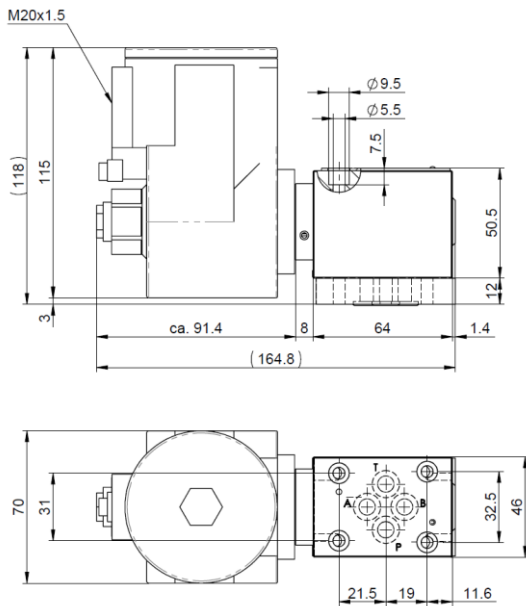
Dear customers

Our valves equipped with the solenoid Exd will be replaced by the new solenoid Exd-L15. The following types are concerned:

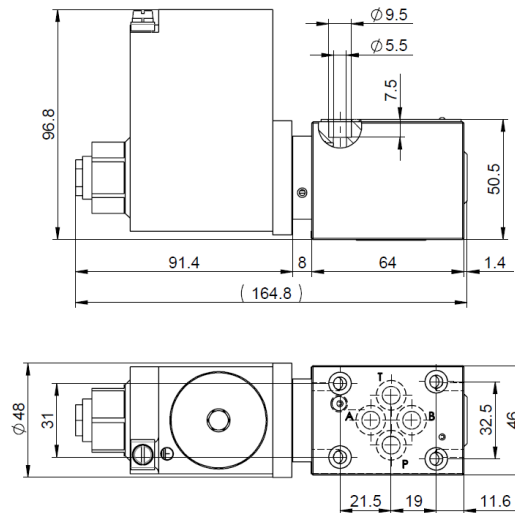
part. no.	old type	new type
2562	EPDB-06-200-SD-Exd	EPDB-06-200-SD-Exd-L15
1706	EPDB-06-315-SD-Exd	EPDB-06-315-SD-Exd-L15
2982	EPDB-06-250-INV-SD-Exd	EPDB-06-250-INV-SD-Exd-L15
4124	EPDB-06-350-INV-SD-Exd	EPDB-06-350-INV-SD-Exd-L15
2149	PEPDB-06-350-SD-Exd	PEPDB-06-350-SD-Exd-L15
3872	DRVAB-06-3-20.D-Exd	DRVAB-06-3-20.D-Exd-L15

The dimensions of the new version are smaller in height and width as you can see below.


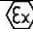
old solenoid Exd



new solenoid Exd-L15



The technical details differ in the following points:

Solenoid coil	Exd	Exd-L15
Explosion protection marking:	 II 2 G Ex d IIC T4	 II 2 G Ex d IIC T4
type	2A67W	MKY45/18x60-G24/L15
EC-type examination certificate:	PTB 98 ATEX 1009	PTB 07 ATEX 1023 IECEX PTB 10.0020
Ambient temperature:	- 20° ... + 60°C	- 25° ... + 70°C
Rated voltage:	24 VDC	24 VDC
Current range:	0 - 0.58 A	Limiting current: 450 mA
Rated power:	14 W	15 W
Operating time:	100%	100%
Protection class:	IP65 acc. to EN 60 529	IP65 acc. to EN 60 529
Connection:	Terminal box with thread M20x1.5	Terminal box with thread M20x1.5

Prices will remain unchanged. This change comes into effect immediately.

Märstetten, 29.03.2016